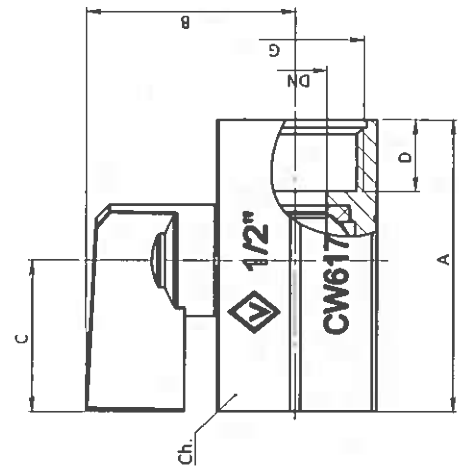
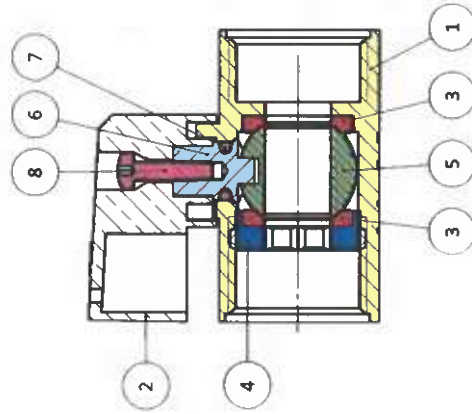


# Scheda Tecnica Technical sheet



ART. 800		SPECIFICATIONS		APPLICATION		TECHNICAL NOTES	
Series	800	Thread ends	Female-Female: ISO 228/1	Assembly in rigid pipe system		Item designed, manufactured and tested in accordance to: EN 13828:2004 Manufacturing processes managed in accordance to: EN ISO 9001	
Orifice	from 8 to 10 mm	Actuator	90° rotation with mechanical stop	Nominal pressure (PN) in bar: 16		All valves comply with directive 2014/68/UE and are 100% tested with electrically controlled pneumatic seal test.	
Operator	Aluminium handle			KV: flowrate coefficient m <sup>3</sup> /h		2 YEARS warranty.	
				Direction of flow: as desired		Manufactured in brass alloy compliant with EN 12165-CW617N-DW.	
				Temperature range: -20 °C / +90°C			
				Use: Water			

Minivalve, F-F, Nickel-plated,  
Size from 1/4" to 1/2"



N°	Descrizione	Description	Materials	Treatment	Q.ty
1	Corpo	Body	CW617N	Nickel-Plated	1
2	Leva	Handle	ALUMINIUM	Printed	1
3	Guarnizione sfera	Ball seal	PTFE		2
4	Ghiera	Compression ring	CW614N		1
5	Sfera	Ball	CW617N	Ni+Cr	1
6	Perno	Stem	CW614N		1
7	O-Ring	O-Ring	NBR70sh		1
8	Vite	Screw	Fe	Zinc-Plated	1

DN	G	A	B	C	D	Ch	PN
8	1/4"	39	30	23	10	21	16
8	3/8"	39	30	23	10	21	16
10	1/2"	44.5	32	23	11	25	16

N° Disegno / Drawing Nr	Misure / Size	UFFICIO TECNICO
800	1/4" - 1/2"	BUGATTI HIGH QUALITY VALVES